

# CENTRIFUGAL PUMPS

CLOSE-COUPLED DR SERIES

☰ MENU



## MATERIALS AND PARTS

DR1S/DR2S - SQUARE FLANGE

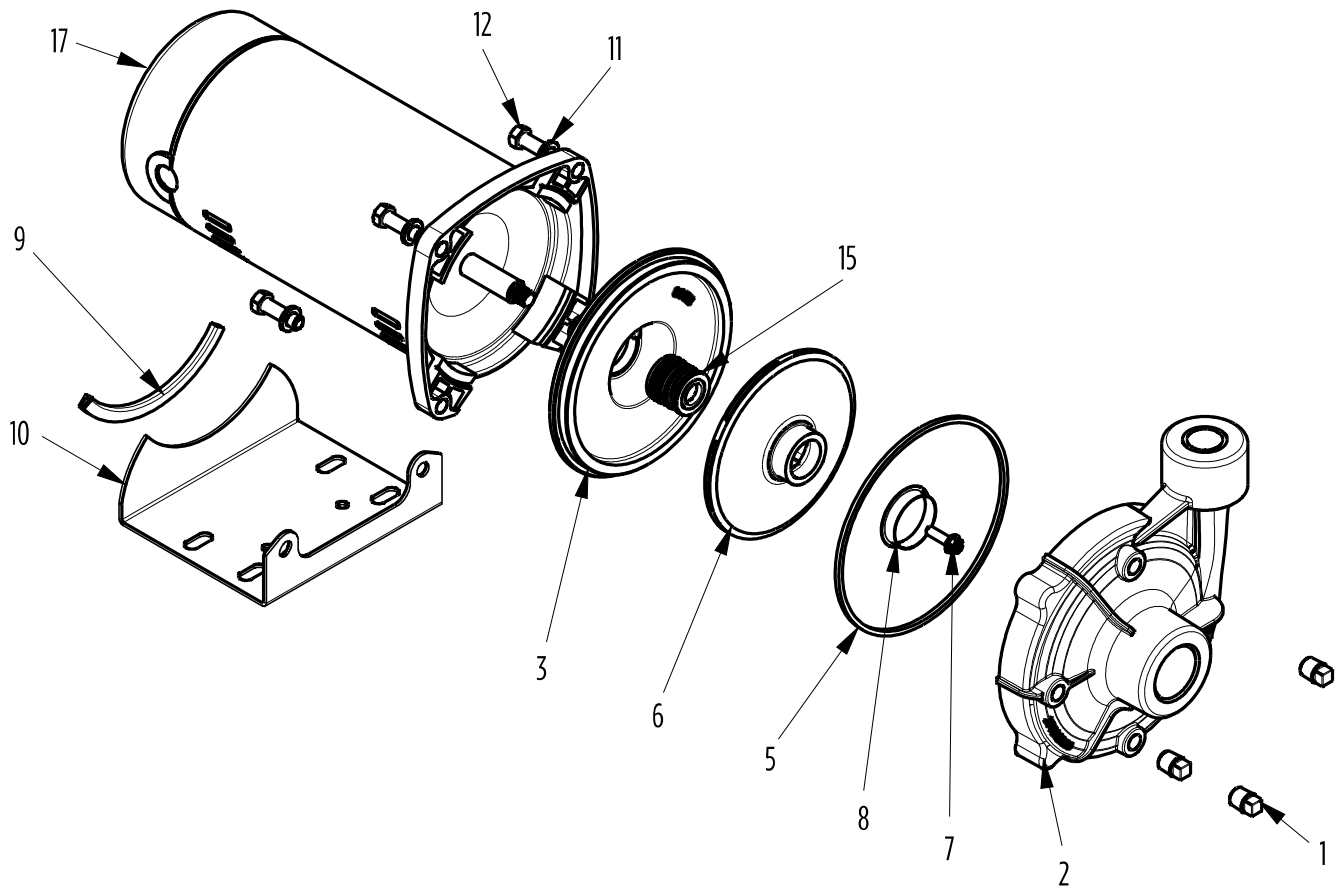


Fig. No.	Part Description	Order No.		
		DR1S-CP	DR1S-SP	DR2S-CS
1,2	Volute, Includes Pipe Plugs	305617102	305617101	305617201
3	Seal Plate	305617104	305617103	305617104
5	Volute Case Square Ring		305373907	
6,8	Impeller & Wear Ring 1/2 HP		305617106	-
6,8	Impeller & Wear Ring 3/4 HP		305617107	-
6,8	Impeller & Wear Ring 1 HP		305617108	305617202
6,8	Impeller & Wear Ring 1-1/2 HP	-	-	305617203
6,8	Impeller & Wear Ring 2 HP	-	-	305617204
7	Impeller Bolt 1/4-20-0.88 L.H. THD. 3-PH		305373910	
8	Wear Ring		305373906	305617208
9	Base Protector		305373905	
9,10	Base, Includes Protector		305373904	
11,12	Hardware Kit		305617001	
11	Lockwasher 3/8" (qty. 4)		See Hardware Kit	
12	Bolt 3/8"X L.25" (qty. 4)			
15	Shaft Seal		305421907	
17	Motor (See Motor Specifications)		Square Flange	

# CENTRIFUGAL PUMPS

CLOSE-COUPLED DR SERIES

MENU



## MATERIALS AND PARTS

DR1J/DR2J - 56J FRAME

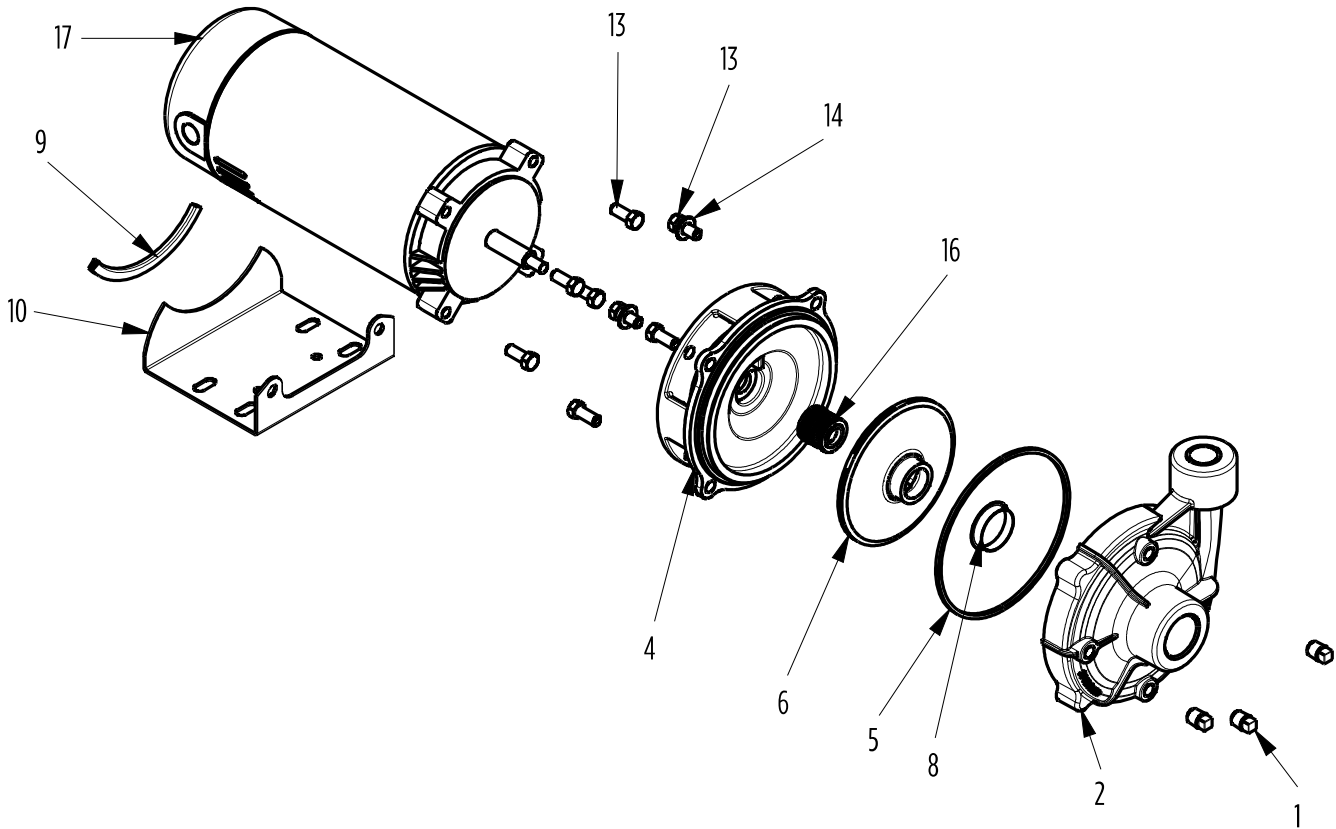


Fig. No.	Part Description	Order No.	
		DR1J-CS	DR2J-CS
1,2	Volute, Includes Pipe Plugs	305617102	305617201
4	Bracket 56J	305617105	
5	Volute Case Square Ring	305373908	
6,8	Impeller & Wear Ring 1/2 HP	305617109	-
6,8	Impeller & Wear Ring 3/4 HP	305617110	-
6,8	Impeller & Wear Ring 1 HP	305617111	305617205
6,8	Impeller & Wear Ring 1-1/2 HP	-	305617206
6,8	Impeller & Wear Ring 2 HP	-	305617207
8	Wear Ring	305373906	305617208
9	Base Protector	305373905	
9,10	Base, Includes Protector	305373904	
1,13,14	Hardware Kit	305617002	
13	Bolt 3/8" x 0.88" (qty. 8)	See Hardware Kit	
14	Washer 3/8" (qty. 2)		
16	Shaft Seal	305421004	
17	Motor (See Motor Specifications)	56J	

# CENTRIFUGAL PUMPS

## CLOSE-COUPLED DR SERIES

MENU



### MATERIALS AND PARTS

### DR1C/DR2C - 56C FRAME

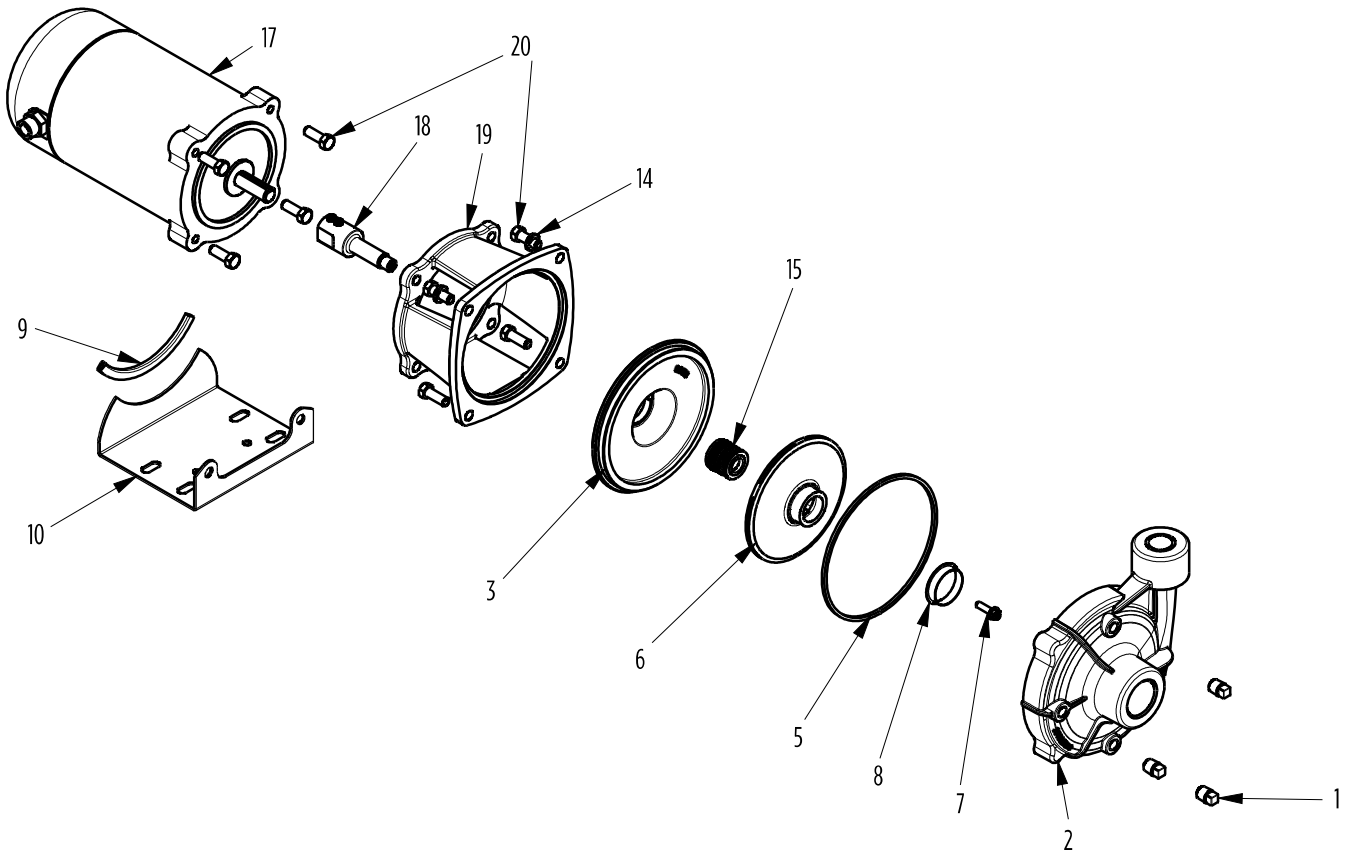


Fig. No.	Part Description	Order No.		
		DR1C-SS	DR1C-CP	DR2C-CS
1, 2	Volute, Includes Pipe Plugs	305617101	305617102	305617201
3	Seal Plate	305617103	305617104	
5	Square Ring	305373908	305373907	305373908
6, 8	Impeller & Wear Ring 1/2 HP	305617115	305617112	-
6, 8	Impeller & Wear Ring 3/4 HP	305617116	305617113	-
6, 8	Impeller & Wear Ring 1 HP	305617117	305617114	305617202
6, 8	Impeller & Wear Ring 1-1/2 HP	-	-	305617203
6, 8	Impeller & Wear Ring 2 HP	-	-	305617204
7	Impeller Bolt 1/4-20-0.88 L.H. THD. 3-PH		305373910	
8	Wear Ring	305373906		305617208
9	Base Protector		305373905	
9, 10	Base, Includes Protector		305373904	
14, 18, 19, 20	56C/48Y Conversion Kit		305373909	
1, 14, 20	Hardware Kit		305617003	
14	Washer 3/8" (qty. 2)		See Hardware Kit	
15	Shaft Seal	305421004	305421907	305421004
17	Motor (See Motor Specifications)		56C	
18	Coupling SS (Includes Set Screws)		305373916	
19	Motor Bracket		305373915	
20	Bolt 3/8" x 1.00" (qty. 8)		See Hardware Kit	

# CENTRIFUGAL PUMPS

## CLOSE-COUPLED DR SERIES

☰ MENU



### MOTORS

3600 RPM Open Drip Proof - DRIS/DR2S							
Frame	Enclosure	Phase	HP	Volts	SF	Max or SF Amps	Motor Order No.
48Y Square Flange Thrd 1/2"	ODP	1	1/2	115/230	1.90	12.4/6.1	305374903
			3/4	115/230	1.65	14.8/7.3	305374906
			1	115/230	1.65	19.9/9.94	305374907
			1-1/2	115/230	1.47	24.0/12.1	305374909
			2	230	1.30	11.2	305446959
		3	1/2	230/460	1.90	3.1/1.4	305374954
			3/4	230/460	1.65	3.6/1.7	305374955
			1	230/460	1.65	4.7/2.34	305374956
			1-1/2	230/460	1.47	6.8/3.3	305374957
			2	230/460	1.30	8.5/4.24	305374958

3600 RPM Open Drip Proof - DRIJ/DR2J							
Frame	Enclosure	Phase	HP	Volts	SF	Max or SF Amps	Motor Order No.
56J Round Flange Thrd 7/16"	ODP	1	1/2	115/230	1.6	11.8/5.9	305374914
			3/4	115/230	1.5	14.8/7.4	305374913
			1	115/230	1.4	16.2/8.1	305398901
			1-1/2	115/230	1.3	21.4/10.7	305398902
			2	230	1.4	12.9	305398903
		3	1/2	230/460	1.6	2.7/1.35	305374961
			3/4	230/460	1.5	3.4/1.7	305374962
			1	230/460	1.4	4.0/2.0	305398904
			1-1/2	230/460	1.3	6.8/3.4	305398905
			2	230/460	1.2	8.6/4.3	305398906

3600 RPM - DRIC/DR2C							
Frame	Enclosure	Phase	HP	Volts	SF	Max or SF Amps	Motor Order No.
56C Round Flange Keyed 5/8"	ODP	1	1/2	115/230	1.60	11.8/5.9	90102294R000
			3/4	115/230	1.50	14.8/7.4	90102302R000
			1	115/230	1.40	16.8/8.4	90102310R000
			1-1/2	115/230	1.30	18.4/9.1	305374964
			2	115/230	1.21	22.2/12.2	305374965
		1	3/4	115/208-230	1.15	10.8/5.7-5.4	EC06
			1	115/208-230	1.15	13.8/7.2-6.9	EC09
			1-1/2	115/208-230	1.15	18.4/10.3-9.2	EC11
			2	208-230	1.15	11.0-10.0	EC13
			3	208-230	1.15	15.8-14.6	EC16B
	3		3/4	208-230/460	1.25	2.6/1.3	U34SIACR
			1	208-230/460	1.25	3.6-3.2/1.6	UIPIDCR
			1-1/2	208-230/460	1.25	4.9-5.2/2.6	T32PIACR
			2	208-230/460	1.15	7.1-6.0/3.0	T2PIACR
		3	208-230/460	1.15	7.7/3.9	T3PIACR	
	3	3/4	575	1.25	0.8	U34PIGCR	
		1	575	1.25	1.3	UIPIGCR	
		1-1/2	575	1.25	1.9	U32PIGFCR	
		2	575	1.25	2.4	U2PIGFCR	
		3	575	1.25	3.6	U3PIGFCR	